

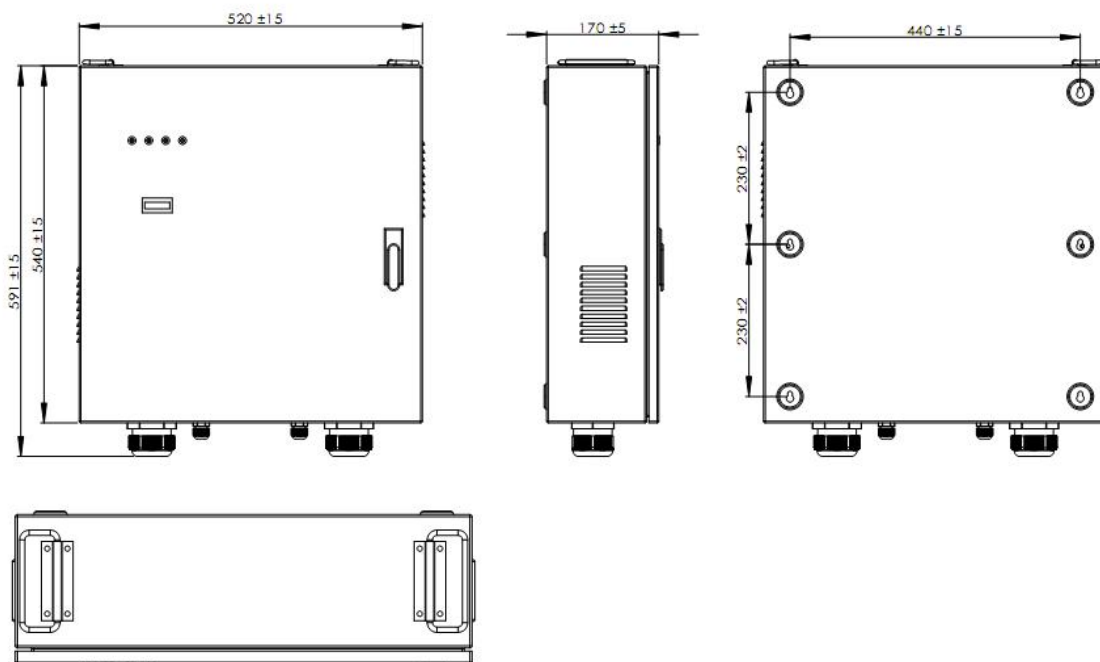
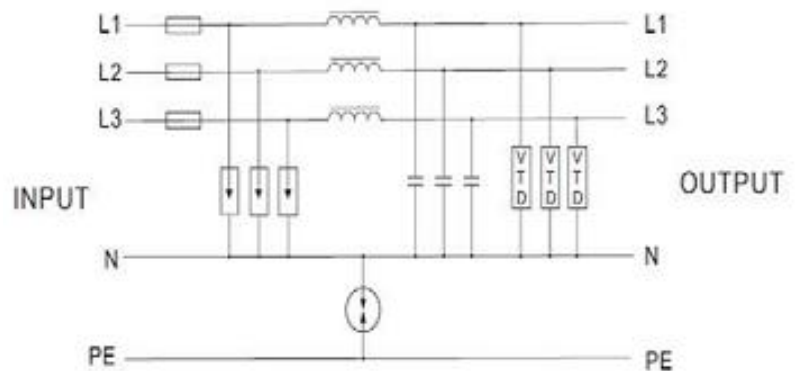
POWER SUPPLY

Three phase 63 A surge filter

■ Type 1+2 ■ 2-Port SPD ■ 63A filter ■ Iimp 25kA

BSF Series, BSF100-3/...-63A-3PN-VTD-S

- Multi-stage protection circuit with LC Filter design to protect sensitive electronics.
- Provides extensive high frequency & RF filtering
- Prosurge TSG+VTD technology to improve voltage clamping performance
- Application for TT, TN or any 3-phase system with a grounded neutral
- Protection capability 25 kA 10/350 us or 100kA 8/20 us
- Rated Load current 63A, Built-in over- current protection in series optional
- All mode protection, 3+1 protection circuit for TN-S and TT network systems
- LED failure indication & remote alarm function available
- Surge counter optional
- Comply with UL1449 4th, IEEE C62.41, CSA C22.2, IEC/EN 61643-11



POWER SUPPLY

Model		BSF100-3/180-63A-3PN-VTD-S	BSF100-3/320-63A-3PN-VTD-S	
According to		IEC61643-11; UL1449-4th; IEC610006; ANSI/IEEE C62.41; AS1768-1991;AS3100		
Category IEC/EN/UL		Class I+II/ Type 1+2 / Type 2		
Protection Mode		All mode protection		
Protection technology		TSG(primary)+ VTD(Secondary) tech, GDT Tech LC filter, Thermal disconnecter, Built-in over-current protection		
Power system	Un	120/208 to 127/220 Vac Three phase (TN/TT)	220/380 to 277/480 Vac Three phase (TN/TT)	
Max. continuous operating voltage (AC/DC)	Uc	180/230V	320/420V	
Rated load Current	I _l	63A		
Nominal discharge current /In	In	25kA(8/20us)		
Primary surge protection rating	L-N	I _{imp} :25kA (10/350us), I _{max} :100kA (8/20us)		
	N-PE	I _{imp} :100kA (10/350us), I _{max} :200kA(8/20us)		
Secondary surge protection rating	L-N	I _{max}	50kA(8/20us)	
Total surge capacity per Line	I _{total}	150kA (8/20us)		
Voltage protection level Up	L-N@6kV/3kA	VPR	<0.4kV	<0.5kV
	L-N@ In	Up	<0.7kV	< 0.85kV
	N-PE@1.2/50	Up	< 1.0kV	< 1.5kV
Residual Current	I _{PE}	<0.1mA		
Voltage drop:		< 2V at 63 A load		
Temporary overvoltage TOV —Withstand mode	U _{toV}	230V/120min	440VAC/120min	
Response time	T _a	≤1ns		
Filter attenuation	dB	>48dB @ 1MHz		
Built in over load/ over-current protection in series		63A (optional)		
Lightning counter Current		≤ 3kA		
Protect Status Indication		4 LED display, Normal (Blue), Protection fault(Off)		
Remote alarm		Dry contact alarm relay – 250Vac/32Vdc, 5A		
Connecting cable		Power 6-8AWG(50A/63A), Alarm 14 -22AWG,		
Environment		Temperature Range: - 40°C ~ +70°C Humidity: ≤95% Altitude: ≤2000m		
Mounting		Wall mounting		
Location Category		Indoor		
Degree of protection		IP20		
Dimension		520mm (L) x425mm (W) x 170mm (H) approx		
Weight		30kg approx.		
Approvals, Certification	,	CE		

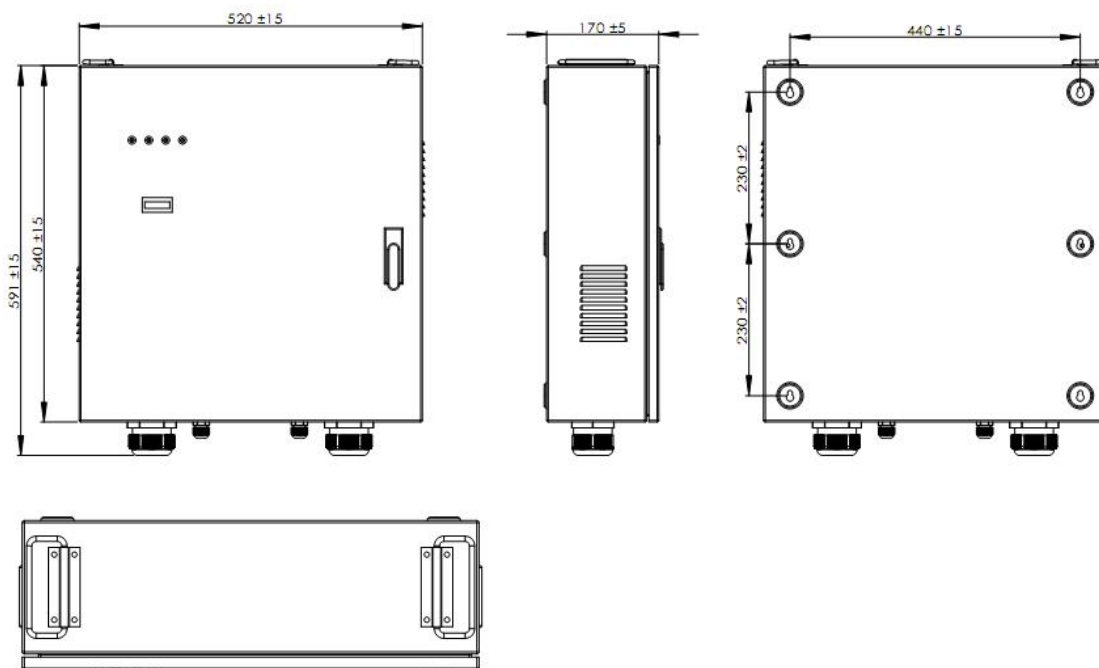
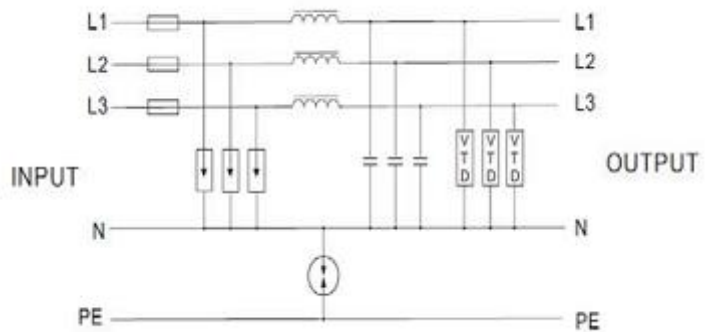
POWER SUPPLY

Three phase 125 A surge filter

■ Type 1+2 ■ 2-Port SPD ■ 125A filter ■ Iimp 50kA

BSF Series, BSF200-3/...-125A-3PN-VTD-S

- Multi-stage protection circuit with LC Filter design to protect sensitive electronics.
- Provides extensive high frequency & RF filtering
- Prosurge TSG+VTD technology to improve voltage clamping performance
- Application for TT, TN or any 3-phase system with a grounded neutral
- Protection capability 50 kA 10/350 us or 200kA 8/20 us
- Rated Load current 63A, Built-in over- current protection in series optional
- All mode protection, 3+1 protection circuit for TN-S and TT network systems
- LED failure indication & remote alarm function available
- Surge counter optional
- Comply with UL1449 4th, IEEE C62.41, CSA C22.2, IEC/EN 61643-11



POWER SUPPLY

Model		BSF200-3/180-125A-3PN-VTD-S	BSF200-3/320-125A-3PN-VTD-S	
According to		IEC61643-11; UL1449-4th; IEC610006; ANSI/IEEE C62.41; AS1768-1991;AS3100		
Category IEC/EN/UL		Class I+II/ Type 1+2 / Type 2		
Protection Mode		All mode protection		
Protection technology		TSG(primary)+ VTD(Secondary) tech GDT Tech, LC filter, Thermal disconnecter, Built-in over-current protection		
Power system	Un	120/208 to 127/220 Vac Three phase (TN/TT)	220/380 to 277/480 Vac Three phase (TN/TT)	
Max. continuous operating voltage (AC/DC)	Uc	180/230V	320/420V	
Rated load Current	I _i	125A		
Nominal discharge current / In	In	50kA (8/20us)		
Primary surge protection rating	L-N	I _{imp} :50kA (10/350us), I _{max} :150kA (8/20us)		
	N-PE	I _{imp} :100kA (10/350us), I _{max} :200kA(8/20us)		
Secondary surge protection rating	L-N	I _{max}	50kA(8/20us)	
Total surge capacity per phase		I _{max}	200kA (8/20us)	
Voltage protection level Up	L-N@6kV/3kA	VPR	<0.4kV	<0.5kV
	L-N@In(50kA.8/20)	Up	<0.8kV	< 1.0kV
	N-PE@1.2/50	Up	< 1.0kV	< 1.5kV
Residual Current	I _{PE}	<0.1mA		
Voltage drop:		< 2V at 125 A load		
Temporary overvoltage TOV —Withstand mode	U _{tov}	230V/120min	440VAC/120min	
Response time	T _a	≤1ns		
Filter attenuation	dB	>48dB @ 1MHz		
Built in over load/ over-current protection in series		125A (optional)		
Lightning counter Current		≤ 3kA		
Protect Status Indication		4 LED display, Normal (Blue), Protection fault(Off)		
Remote alarm		Dry contact alarm relay – 250Vac/32Vdc, 5A		
Connecting cable		Power 2-3AWG(100A/125A), Alarm 14 -22AWG,		
Environment		Temperature Range: - 40°C ~ +70°C Humidity: ≤95% Altitude: ≤2000m		
Mounting		Wall mounting		
Location Category		Indoor		
Degree of protection		IP20		
Dimension		520mm (L) x540mm (W) x 170mm (H) approx		
Weight		34kg approx		
Approvals, Certification		CE		